



CommCenter® Digital Message Center

Model 300MB

USE WITH SELECTONE® AND PUBLIC ADDRESS SYSTEMS

- Multi-voltage design accepts 24VDC, 120VAC or 240VAC
- High-quality, non-volatile playback
- Stores six voice messages, melodies, tones and signals
- Messages can be up to 16 seconds in length (96 second total capacity)
- Expandable and prioritized
- Type 1 enclosure
- UL Listed and CSA Certified

The Federal Signal CommCenter® Model 300MB broadcasts pre-recorded voice messages, melodies, tones and signals over SelecTone® and public address systems. The 300MB replaces outdated loop tape units with superior, high-quality audio playback. The 300MB is remotely activated via contact closures.

The CommCenter's housing holds the solid state digital control circuitry and up to six non-volatile, 16-second chips.

Melodies, voice messages, tones and signals are available, including the pre-recorded CommCenter Standard Library and optional custom recorded messages. Units can be interconnected for greater message capacity.

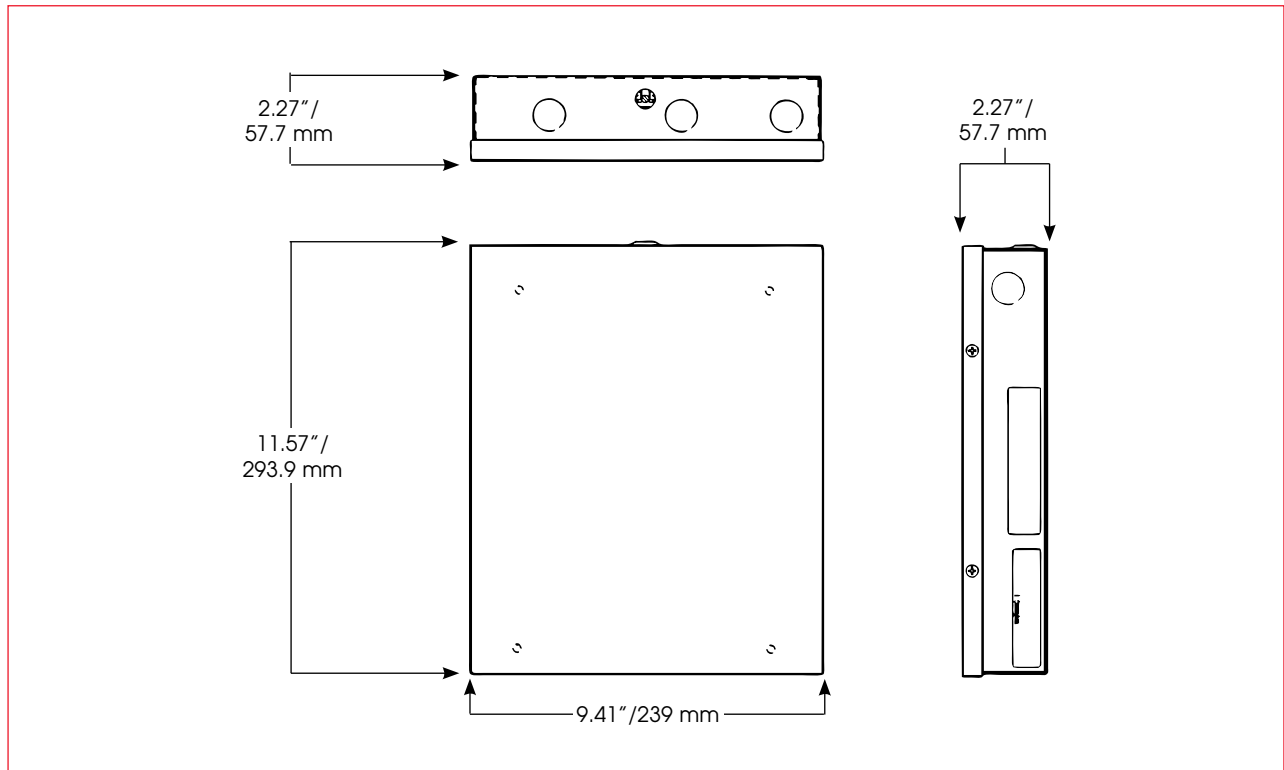
CommCenter's digital messaging capability is ideal for emergency evacuation announcements. Clear, concise, pre-determined instructions can be broadcast over a SelecTone or public address system. The CommCenter's pre-recorded melodies can convey the status of a process or machine without interrupting the flow of production in surrounding areas. Voice messages in any language can alert operators to emergency situations.

The CommCenter offers quality and versatility to public address systems that broadcast repetitive, prerecorded messages.

Model	Voltage	Operating Current	Standby Current
300MB	24VDC	0.8 amps	0.09 amps
300MB	120VAC 50/60Hz	0.2 amps	0.05 amps
300MB	240VAC 50/60Hz	0.1 amps	0.02 amps



COMMCENTER® DIGITAL MESSAGE CENTER (300MB)



SPECIFICATIONS

Operating Temperature:	32°F to 140°F	0°C to 60°C
Tone Output Levels Max. Load:		
Unbalanced Signal Line	10Vrms (25 ohm max)	
Balanced Signal Line	25Vrms (40 ohm max/15 watts)	
Audio Input:		
Input Impedance	5K OHMS	
Input Voltage	1V P-P (max)	
Signal to Noise Ratio (<1.5% THD):	(chip input) 67dBa	
Signal Frequency Response:	250Hz to 3.4KHz	
Net Weight:	5.5 lbs.	2.5 kg
Shipping Weight:	6.6 lbs.	3.0 kg
Height:	11.57"	293.9 mm
Width:	9.41"	239.0 mm
Depth:	2.27"	57.7 mm

HOW TO ORDER

- Specify model number
- Specify number of messages (up to six)
- Choose message source(s):
 - a. Select from Standard Library (page 169)
 - b. Provide script to be recorded in studio (additional charge incurred)
 - c. Provide electronic file
- Specify the priority of the messages
- Please refer to Model Number Index 300MB beginning on page 378

REPLACEMENT PARTS

<i>Description</i>	<i>Part Number</i>
PC Board Assembly — Main	K200D1148F
Terminal Block, 17 Position	K140A332A-17
Terminal Block, 10 Position	K140A332A-10
Fuse 250V, 1 amp	K148A155A-01
Fuse 250V, 1/2 amp	K148A155A