

SelecTone® Audible Signaling Device

Models 304GC and 314GC



PLANT-WIDE WARNING AND VOICE COMMUNICATION

- Available in 24VDC
- Built-in gain control
- Digital signal amplification
- Fused input and output
- Type 3R enclosure
- 4-wire supervisable power circuit
- UL Listed and CSFM Approved

The Federal Signal Models 304GC and 314GC Amplified Speakers are designed to produce crisp, clear tones in supervised alarm notification systems. These amplified speakers can broadcast tones generated by a tone card installed into the speaker (the plug-in 32-tone UTM) or by a central tone source in a voice evacuation or paging system. When live public address or voice messages are required, plug-in Connector Cards (AM25CK or AM70CK) interface with the VRMS of the EVAC panel.

Both speaker amplifiers are compatible with fire alarm and suppression supervised control panels and power boosters.

The speaker cone and projector are constructed of rugged spun aluminum. The solid-state amplifier circuit is protected in a die-cast aluminum housing. Dust- and moisture-proof gaskets provide protection from the elements. All external surfaces are sealed with gray powder coat paint. The 304GC is easily installed on any flat surface.

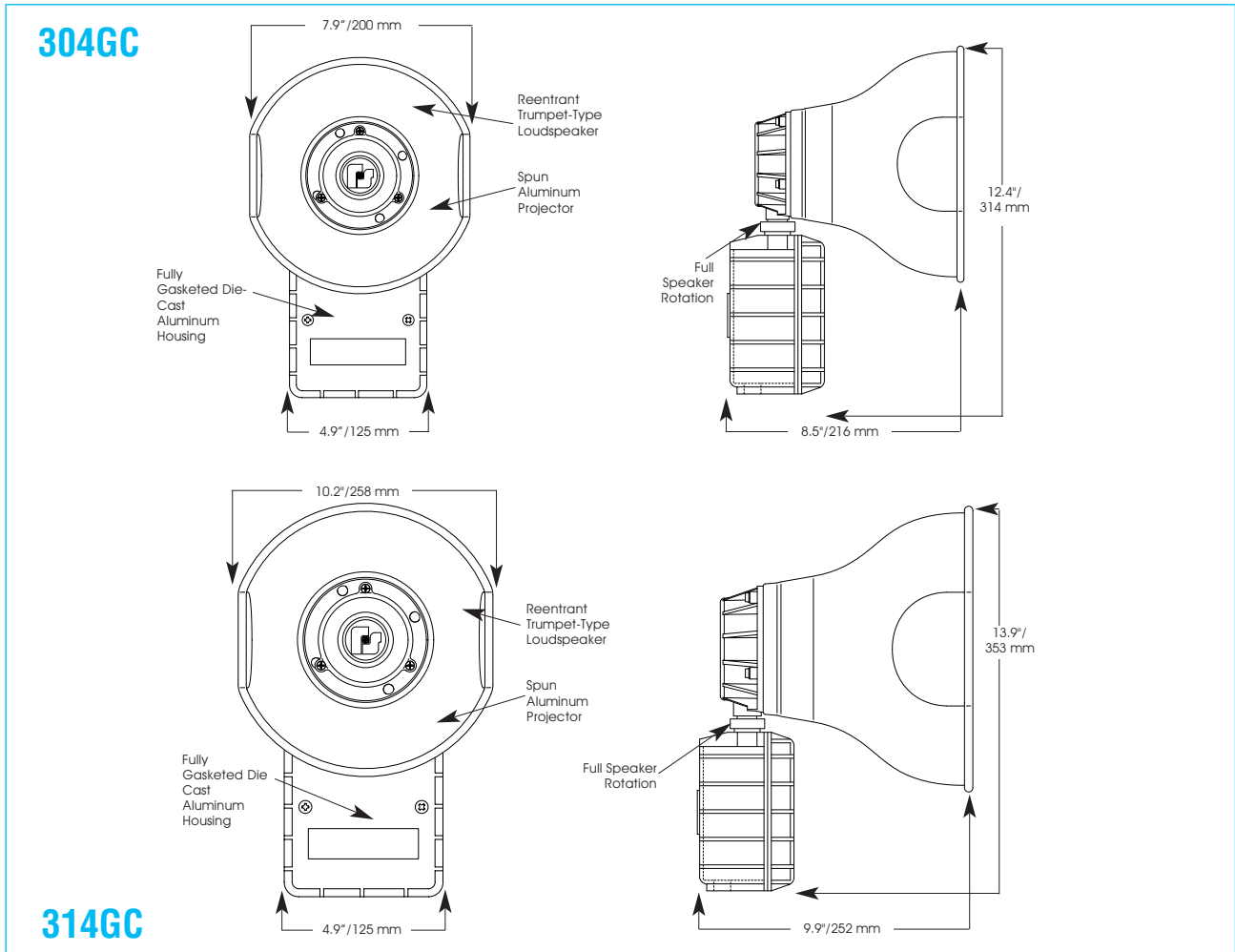
Both the 304GC and 314GC are UL Listed for use indoors and out.

The rugged construction and high output of the Models 304GC and 314GC make it ideal for use in harsh environments with high ambient noise levels. Both models feature an internal gain control for adjustment to the suit area.

Model	Voltage	Operating Current	Standby Current	Decibels per UL1480		Decibels on Axis	
				10'	1m	10'	1m
304GC	24VDC	0.7 amps	0.15 amps	95	105	108	118
314GC	24VDC	1.3 amps	0.15 amps	100	110	112	122



SELECTONE® AUDIBLE SIGNALING DEVICE (304GC/314GC)



SPECIFICATIONS

304GC

Operating Temperature:	-40°F to 150°F	-40°C to 66°C
Net Weight:	4.5 lbs.	2.0 kg
Shipping Weight:	5.7 lbs.	2.6 kg
Height:	12.4"	314.0 mm
Width:	7.9"	200.0 mm
Depth:	8.5"	216.0 mm

314GC

Operating Temperature:	-40°F to 150°F	-40°C to 66°C
Net Weight:	6.1 lbs.	2.8 kg
Shipping Weight:	7.5 lbs.	3.4 kg
Height:	13.9"	353.0 mm
Width:	10.2"	258.0 mm
Depth:	9.9"	252.0 mm

HOW TO ORDER

- Specify model number and voltage
- Tone Card (UTM)
- Specify Connector Kit for use in systems
Supervised Connector Kit (300CKS)
25VRMS Connector Kit (AM25CK)
- Please refer to Model Number Index
304GC/314GC beginning on page 381

REPLACEMENT PARTS

<u>Description</u>	<u>Part Number</u>
304GC	
Amplifier Assembly	K2005356A
Voice Coil Series B	K8593035A
Speaker Assembly	K8593082A
4 Pos connector	K140340B
314GC	
Amplifier Assembly	K2005356A-01
Voice Coil Series B	K8593036A
Speaker Assembly	K8593103A
4 Pos connector	K140340B