

StreamLine® Low Profile Combination Sounder/Strobe

Model LP7



Perfect size meets superior performance

- Available in 18–30VDC
- Fully integrated xenon strobe circuit
- Five dome colors — Amber, Blue, Clear, Green, Red
- Heavy duty ABS plastic body
- Type 4X, IP54 (IP65 with optional deep base)
- 82–100dB @ 10' (92–110dB @ 1m)
- Type 4X, IP54 (IP65 with optional deep base)
- CE Compliant

Providing an audible/visual warning, the LP7 sounder/strobe combines the features of a mini sounder with a fully integrated xenon strobe circuit. The result is an attractive unit suitable for internal or external locations where a combination of high sound output and visual signal is required.

The strobe color choices include Amber, Clear, Green, Blue or Red. The unit comes with a standard shallow base. An optional deeper base allows 20mm diameter conduit entry.

Operating voltage ranges from 18-30VDC with an average of only 68mA current consumption.

The LP7 has two switchable tone patterns - “Sweeping” and “Continuous”.

The LP7 has a range of 82dB–100dB @ 10' (92–110dB @ 1m), dependent upon tone selected. Volume control allows for 20dB of adjustment.

The LP7 features a bright xenon strobe that produces 0.7 Joules of flash energy with a flash frequency of 60 flashes per minute. The beacon will operate with any tone selected.

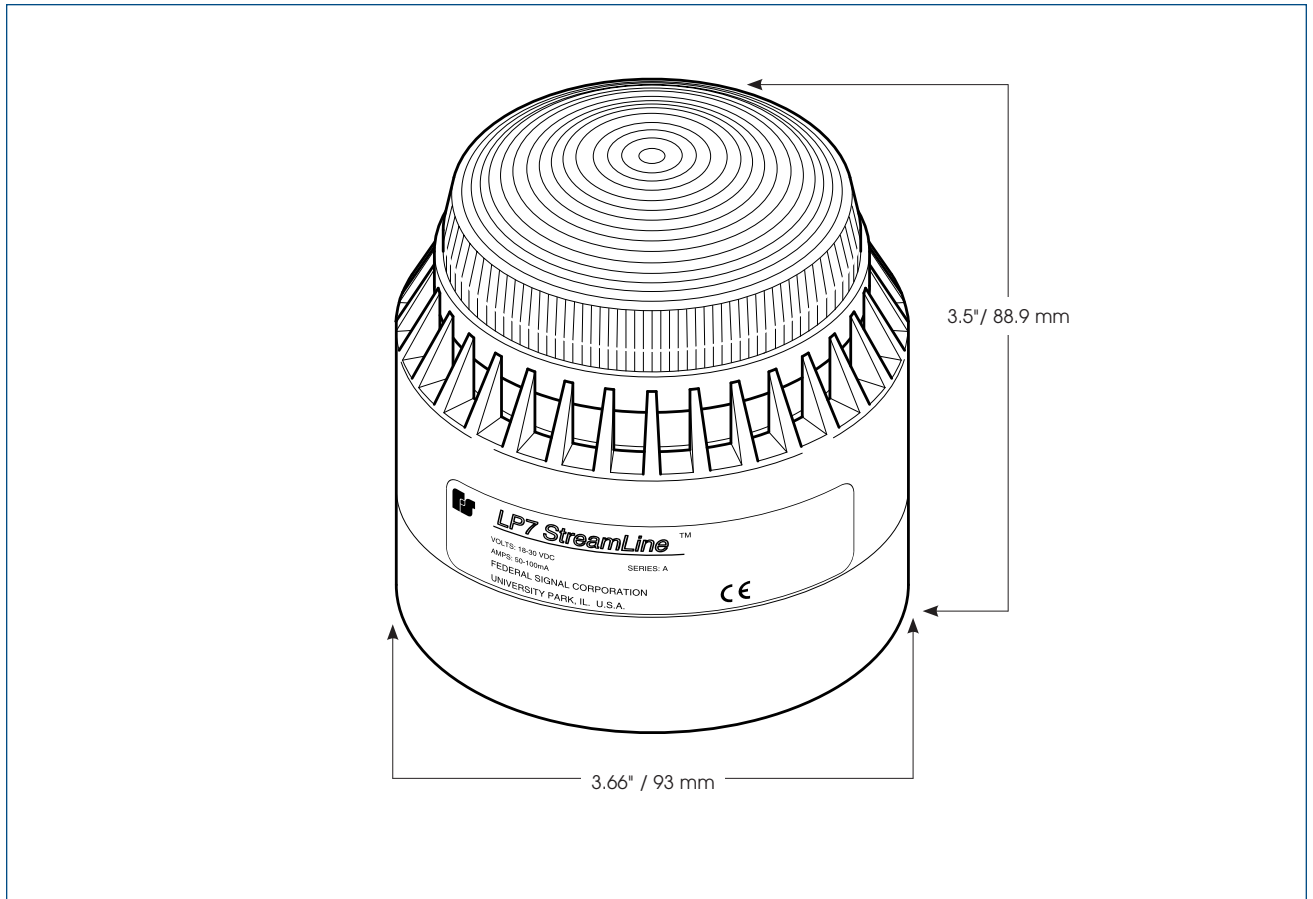
The Federal Signal Model LP7 sounder/strobe is PLC compatible. It is ideal for wall or panel mount applications where low voltage is required.

Model	Voltage	Operating Current	Flash Rate/ Minute	Joule Output	Decibels @ 10'	Decibels @ 1m
LP7-018-030*	18-30VDC	0.068 amps	60	0.7	82-100	92-110

* Indicates color: (A) Amber, (B) Blue, (C) Clear, (G) Green or (R) Red



STREAMLINE® LOW PROFILE SOUNDER/STROBE (LP7)



SPECIFICATIONS

Lamp Life:	10,000 Hours	10,000 Hours
Light Source:	Strobe tube	Strobe tube
Operating Temperature:	14°F to 131°F	-10°C to 55°C
Net Weight:	11.1 oz.	315.0 kg
Shipping Weight:	13.5 oz.	383.0 kg
Height:	3.5"	88.9 mm
Diameter:	3.66"	93.0 mm

HOW TO ORDER

- Specify model, voltage and color
- Optional Accessories:
Deep Base (DBLP)
- Please refer to Model Number Index LP7 beginning on page 373