

Explosion-Proof Fire Alarm Pull Station

Model MPEX



TWO-STEP OPERATION PREVENTS ACCIDENTAL ACTIVATION

- Available in 120VAC
- Highly visible red enclosure
- Lift cover and pull down ring to activate
- Approved for Class I, Division 1 explosion-proof applications
- UL and ULC Listed
- CSFM Approved
- CSA Certified

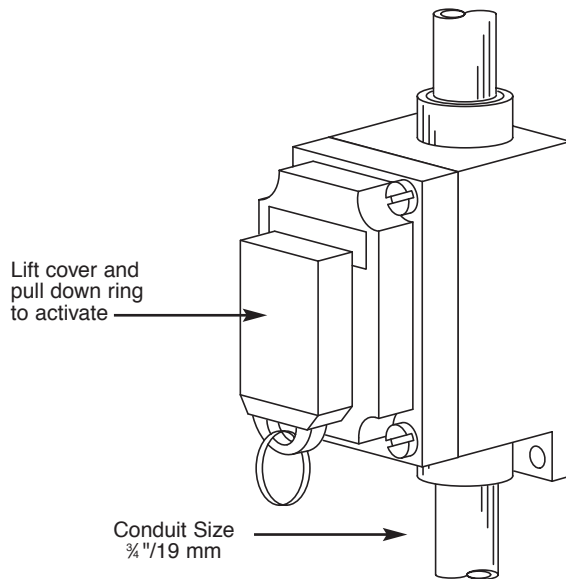
The Model MPEX Explosion-Proof Pull Station is designed for harsh environments. The unit is rated for Class I, Division 1, Groups C & D; Class II, Division 1, Groups E, F and G; and Class III. MPEX is rated NEMA 7 for Groups C & D and NEMA 9 for Groups E, F and G.

The Model MPEX Explosion-Proof Pull Station is designed for hazardous locations where flammable gases, vapors, combustible dusts or easily ignitable fibers are present. The unique swing-up front cover exposes a pull-down ring which activates the alarm; this two-step process prevents accidental activation. The MPEX is reset by depressing the shaft and returning the plate to its original position. Contacts on the unit are rated 120VAC, 60Hz at six amps continuous.

The enclosure is made of copper-free cast aluminum alloy. Installation is made easy via the feed through $\frac{3}{4}$ " conduit openings found on either end of the MPEX. It is painted bright red for high visibility and has clearly marked operating instructions on the face plate.



EXPLOSION-PROOF PULL STATION (MPEX)



Contact Arrangement

Activated Position

Not Activated Position

SPECIFICATIONS

Net Weight:	2.4 lbs.	1.09 kg
Shipping Weight:	2.7 lbs.	1.23 kg
Height:	6.4"	16.26 cm
Width:	3.1"	7.87 cm
Depth:	4.1"	10.41 cm

HOW TO ORDER

- Specify model number
- Please refer to Model Number Index MPEX beginning on page 381