

# SelecTone® Custom Tone Module

## Model TM33



### CUSTOM PRE-RECORDED DIGITAL MESSAGE

- Non-volatile memory
- Compatible with any SelecTone® unit
- Plug-in installation
- UL and cUL Listed and CSA Certified

Federal Signal's Model TM33 Digital Tone Module provides audio input for any SelecTone® speaker/amplifier. The tone module holds a single pre-recorded voice message, tone or melody.

The user selects from a library of standard pre-recorded messages, tones or melodies, or creates a customized recording.

Each tone module contains a 16-second non-volatile EE-PROM (electronically erasable/ programmable read only memory) chip. The Model TM33 can either be set to play through once and stop or loop continuously.

This solid state digital device will work with Federal Signal speaker/amplifiers (including 50GC, 50GCB, 300GC, 300GCX, 302GC, 302GCX, 300X, 302X, 304GC, 314GC, 304GCX, 314GCX, 304X, and 314X) and the 300VSC-1, 300SCW-1, 300VSC-1044SB SelecTone Command Panels\*.

The TM33's digital messaging capabilities are ideal for emergency evacuation announcements. Clear, concise, pre-determined instructions or custom tones can be broadcast.

Manufacturing facilities often require an audible signal to indicate status (i.e. standby, shut down, operational, etc.). Simple pre-recorded melodies can indicate these situations, while voice messages can warn operators.

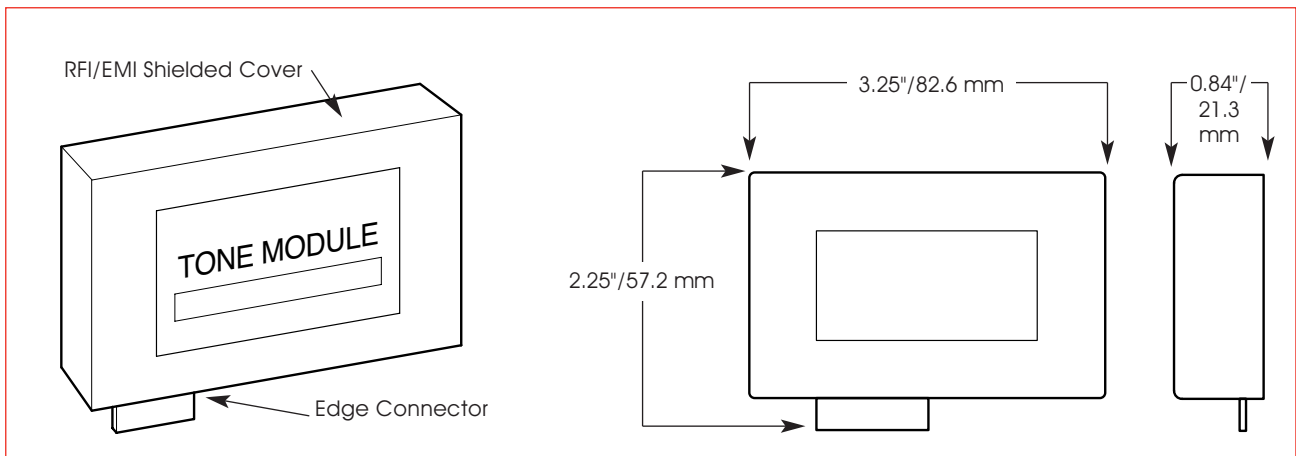
Many industrial facilities utilize public address systems to broadcast repetitive pre-recorded information. The Model TM33 provides high-quality audio output in these applications.

Federal Signal's TM33 Custom Tone Module provides the user with the option of producing a completely customized digital message, in any language, without paying a "custom" price.

\* Not compatible with the EM3 Extension Module



## CUSTOM TONE MODULE (TM33)



## STANDARD LIBRARY FOR TM33 AND COMMCENTER® CHIPS

### VOICE MESSAGES

“An automatic guided vehicle is approaching. Please step aside.”  
 “System is now in auto shutdown mode.”  
 “Lockout has been removed; system is coming on line.”  
 “Check status light for current system condition.”  
 “Auto shut down has begun. Raw materials must be replenished and system reset.”  
 “You have entered a restricted area.”  
 “The automatic doors are closing. Please stand clear.”  
 “The overhead door is closing. Please stand clear.”  
 “Safety glasses must be worn in this area at all times.”  
 “This is a hard hat area.”  
 “A forklift is approaching. Please stand clear.”  
 “Attention! We will be testing the fire alarm system shortly. This is only a test.”  
 “Attention! For the next thirty seconds a test will be conducted of the emergency evacuation system. This is only a test.”  
 “Please evacuate the building. This is not a test.”  
 “Warning, this machine is about to start up. Please stand clear.”  
 TM3 followed by “Please take shelter immediately. This is a severe weather alert.”  
 TM11 followed by “Please evacuate the building. This is not a test.”  
 TM5 followed by “Tornado alert. Report to your designated area.”  
 TM12 followed by “All clear. Return to work area.”

### NOVELTY MELODIES

Camp Town Races	Saints Come Marching In
Doggie in the Window	La Cucaracha
Maple Leaf Rag	Merrily We Roll Along
The Entertainer	The Mulberry Bush
Worms Crawl In	

### CLASSICAL MELODIES

Bach	Fugue in “D” Minor
Bach	Fugue in “A” Minor
Beethoven	5th Symphony
Beethoven	Sonata Theme
Chopin	Minuet Waltz
Chopin	Polonaise in “A” Minor
Greig	Dance Caprice
Greig	Concerto in “A” Minor
Rackoczy	March
Strauss	Blue Danube
Tchaikovsky	Concerto in “B” Flat Minor
Rossini	William Tell Overture

### FOLK MELODIES

Coventry Carol	Cradle Song
Dance Macabre	Dixie Land
Lightly Row	London Bridge
Go Tell Aunt Rhody	Greensleeves
Henry Martin	Home on the Range

Love’s Complaint  
 Oh Suzannah  
 Prince Igor  
 Watchman’s Song

Morning Song  
 Oh Wondrous Enchantment  
 Suwanee River

### ETHNIC MELODIES

Irish Jig	J’ai Du Bon Taboc
My Bonnie	Norwegian Dance
The Horn Pipe	

### PATRIOTIC MELODIES

Battle Hymn of the Republic  
 My Country 'tis of Thee  
 Taps

### TONES AND SIGNALS

TM1	Conventional Siren (Wail)
TM2	Rapid Siren (Yelp)
TM3	Alternating High-Low
TM4	Bell, Struck Rapidly
TM5	Descending High to Low, repeated (Yeow)
TM6	Steady Horn
TM7	Slow Intermittent Horn (Beep)
TM8	Rapid Intermittent Horn (Stutter)
TM9	Slow Ascending Low to High, Repeated (Slow Whoop)
TM11	NFPA* Temporal Coded Slow Whoop
TM12	Westminster Chime
TM13	Radiation Alarm
TM14	Air Horn
TM15	Single Strike Chime
TM16	Rapid Siren (Phaser)
TM17	Alternating High/Low
TM18	Extremely Rapid Siren (Warble)

\*National Fire Protection Association

## HOW TO ORDER

- Specify Model, see Model Number Index TM33 on page 378
- Choose Message Source
  - Select from Standard Library Above
  - Send script to Federal Signal to be recorded in studio (additional charge incurred)
  - Send field-recorded cassette tape recording to Federal Signal to be transferred to chip