



DESIGNED FOR USE IN ATEX ZONE RATED ATMOSPHERES

- Single and four tube models
- Internal fresnel lens (sold separately)
- Available in five colors and clear
- Ex 'e' terminal chamber available
- AC and DC voltage ranges
- Approved for use in Zone 1, 2, 21, 22 Atmospheres

Explosion-Proof Strobe Lights

2000 Series Models XEN1 and XEN4

The 2000 Series Models XEN1 and XEN4 Xenon beacons are visual warning lights for use in hazardous locations that require ATEX approval. Model XEN1 is a strobe light that contains a single xenon flashing tube. This makes it ideally suited for use in indoor explosion-proof areas that require compliance to European electrical safety directives.

Model XEN4 is a strobe light that utilizes four strobe tubes, timed in a sequential manner, to simulate the operation of a mechanical rotating beacon. This four-strobe version is ideal in outdoor situations where a conventional beacon may not be adequate.

The 2000 Series Xenon beacon is sealed from dust and water by a nitrile rubber o-ring seal. All exterior cast aluminum surfaces are finished in powder coat paint and external hardware is manufactured from stainless steel to resist corrosion. Available signal colors are Amber, Blue, Clear Green, Red, and Yellow. An optional telephone initiation feature is also available for either beacon that allows the product to flash when telephone ringing voltage is present.

The 2000 Series Xenon beacon is externally powered by a DC or AC power source. Screw type terminal blocks are provided for field wiring on all units.

All variations of the 2000 Series Xenon beacon feature a four entry fixture to allow cable looping. These cable entries are metric M20 X 1.5, but other configurations are available upon request.

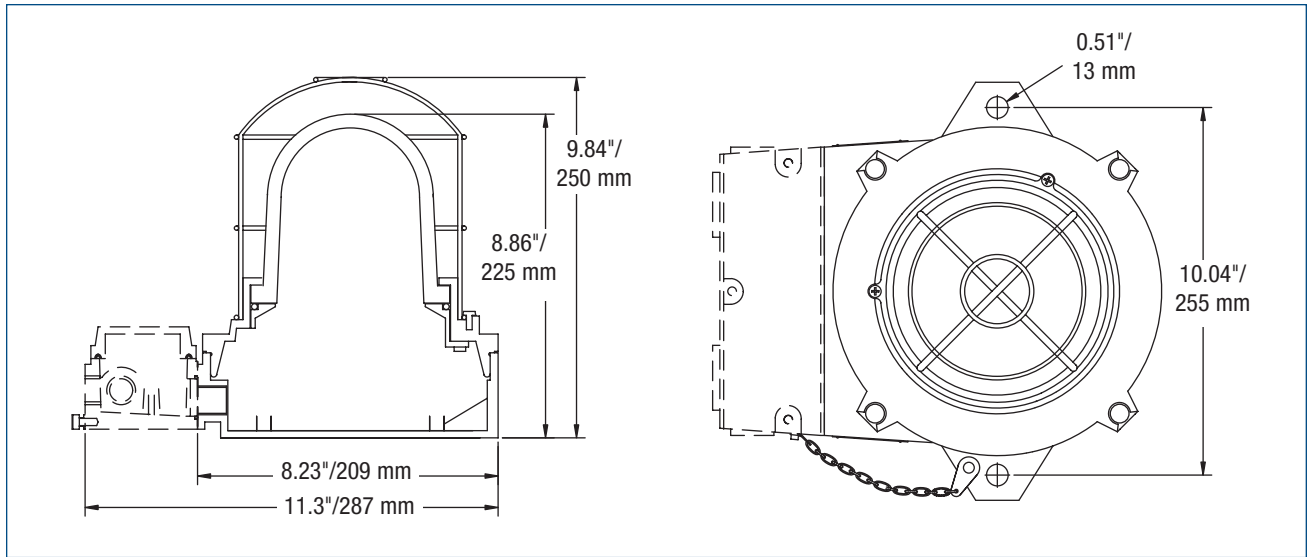
ATEX IEC  **CE**

| Model | Voltage | Operating Current | Flash Rate/Minute |
|-------|---------|-------------------|-------------------|
| XEN1 | 24VDC | 0.93 amps | 80 |
| XEN1 | 48VDC | 0.81 amps | 80 |
| XEN1 | 110VDC | 0.61 amps | 80 |
| XEN1 | 110VAC | 0.48 amps | 80 |
| XEN1 | 240VAC | 0.38 amps | 80 |
| XEN4 | 24VDC | 1.90 amps | N/A |
| XEN4 | 48VDC | 1.22 amps | N/A |
| XEN4 | 110VDC | 0.92 amps | N/A |
| XEN4 | 110VAC | 0.53 amps | N/A |
| XEN4 | 240VAC | 0.41 amps | N/A |

Specify color: (A) Amber, (B) Blue, (C) Clear, (G) Green, (R) Red or (Y) Yellow



EXPLOSION-PROOF STROBE LIGHTS (2000 SERIES XEN1/XEN4)



SPECIFICATIONS

| | | | | |
|---------------------------|-----------------------|------------------------|---------------------|--|
| Lamp Life: | 5,000 Hours | 5,000 Hours | Terminals: | |
| Light Source: | Xenon | Xenon | Ex d: | 4 way block mounted PCB |
| Operating Temperature: | | | Ex de: | 12 way block in terminal chamber |
| Ex d and Ex de: | -40°F to 131°F | -40°C to 70°C | Cable entries: | |
| Net Weight: | | | Ex d: | 4 entries - M20 x 1.5 |
| Ex d: | 13.23 lbs. | 6.0 kg | Ex de: | 4 entries - M20 x 1.5 |
| Ex de: | 15.43 lbs. | 7.0 kg | Mounting: | Via fixed cast lugs at two mounting points |
| Shipping Weight: | 16.5 lbs. | 7.5 kg | Body: | Marine Grade Alloy painted Regal Red |
| Height: | 9.84" | 250.0 cm | Exterior dome: | Toughened glass |
| Width: | 10.04" | 255.0 cm | Guard: | 316 Stainless steel |
| Length: | 8.23" | 209.0 cm | Ingress Protection: | IP66 |
| ATEX Certificate Number: | Baseefa 07ATEX0150 | | | |
| IECEX Certificate Number: | IECEX BAS 07.0038 | | | |
| Certification Marking: | Ex d IIB T4 Ex tD A21 | Ex de IIB T4 Ex tD A21 | | |

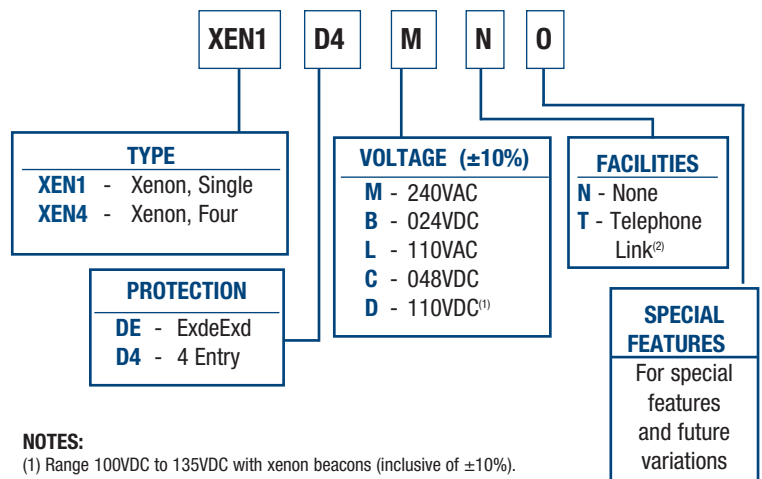
LIGHT OUTPUT

Colored Xenon Lens Ordered Separately

Part Numbers Are As Follows:

| | |
|--------|--------|
| Amber | A1131S |
| Blue | A1111S |
| Clear | A2133S |
| Green | A1198S |
| Red | A1779S |
| Yellow | A3410S |

HOW TO ORDER



NOTES:

- (1) Range 100VDC to 135VDC with xenon beacons (inclusive of ±10%).
FL18 is 100VDC to 150VDC inclusive of ±10%.
- (2) Applicable to Xenon AND LED beacons only