

**STREAMLINE® LP3 INCANDESCENT
LIGHTS**
**INSTALLATION AND SERVICE INSTRUCTIONS
FOR STREAMLINE® LP3 INCANDESCENT LIGHTS**

Address all communications and shipments to:



FEDERAL SIGNAL CORPORATION
Electrical Products Division
Service Department
2645 Federal Signal Drive
University Park, IL 60466-3195

**INSTALLATION AND SERVICE INSTRUCTIONS
FOR
STREAMLINE® LP3 INCANDESCENT LIGHTS**

**SAFETY MESSAGE TO INSTALLERS,
USERS AND MAINTENANCE PERSONNEL**

It is important to follow all instructions shipped with this product. This device is to be installed by a trained electrician who is thoroughly familiar with the National Electric Code/Canadian Electric Code and will follow the NEC/CEC Guidelines as well as local codes.

The selection of mounting location for the device, its controls and the routing of the wiring is to be accomplished under the direction of the facilities engineer and the safety engineer. In addition, listed below are some other important safety instructions and precautions you should follow:

- Read and understand all instructions before installing or operating this equipment.
- Disconnect light from the power supply before any installation or maintenance is performed.
- After installation, test the light system to ensure that it is operating properly.
- Never alter the unit in any manner. Safety may be endangered if additional openings or other alterations are made to the units.
- After testing is complete, provide a copy of this instruction sheet to all operating personnel.
- Establish a procedure to routinely check the light installation for integrity and proper operation.
- The product nameplate, which may contain cautionary or other information of importance to maintenance personnel, should not be obscured in any way.

Failure to follow all safety precautions and instructions may result in property damage, serious injury, or death.

I. INSTALLATION.

A. Unpacking.

After unpacking the light, examine it for damage that may have occurred in transit. If the equipment has been damaged, do not attempt to install or operate it. File a claim immediately with the carrier stating the extent of the damage. Carefully check all envelopes, shipping labels, shipping labels and tags before removing or destroying them.

B. *Mounting.*

1. Pipe Mounting (LP3PI).

Model LP3PI lights are to be installed on 1/2" NPT pipe. If 3/4" NPT pipe is used, a user-supplied reducer and pipe nipple are required.

a. Attach light to pipe by turning clockwise. Use a tool against wrench flats on conduit hub for final tightening.

b. Refer to section C for information on making electrical connections.

2. Panel Mounting (LP3MI).

a. Drill or punch 7/8" (22.2 mm) diameter hole in mounting surface.

b. Locate gasket on mounting surface and set light on top of gasket. Tighten supplied locknut to secure the light.

c. Refer to section C for information on making electrical connections.

3. Surface Mounting (LP3TI).

a. Using gasket as a template, mark two mounting holes and center wiring hole. Drill or punch out holes as necessary.

b. Locate gasket on mounting surface and set light on top of gasket. Secure to mounting surface using the appropriate user-supplied No. 10 (5 mm) screws.

c. Refer to section C for information on making electrical connections.

C. *Electrical Connections.*

The lights come assembled from the factory with two or three color-coded leads for making field connections.

WARNING

To avoid electrical shock hazards, do not connect to supply circuit when power is applied.

For AC units, connect the phase side of the line to the black wire, the neutral side of the line to the white wire, and the ground to the green/yellow wire.

For DC units, connect the positive (+) source to the red wire and the negative (-) source to the black wire.

II. MAINTENANCE.

Maintenance personnel must follow all safety instructions and precautions listed at the beginning of this manual prior to performing any maintenance on this product. Lamp replacement is the only routine maintenance procedure required for this unit.

WARNING

To avoid electrical shock hazards, do not replace lamp when power is applied.

CAUTION

Risk of fire, relamp only with factory provided replacement lamps.

To replace the lamp, proceed as follows:

- A. Loosen the locking screw on lens and remove lens from housing by turning counter-clockwise.
- B. Remove the old lamp by depressing the lamp and turning counter-clockwise.
- C. Replace lamp with Federal Signal approved replacement lamp listed in section IV.
- D. Attach lens to housing by turning clockwise until seated.
- E. Tighten locking screw on lens to secure.
- F. Test light for proper operation.

III. SERVICE.

The Federal factory will service your equipment or provide technical assistance with any problems that cannot be handled locally.

Any units returned to Federal Signal for service, inspection, or repair must be accompanied by a Return Material Authorization. This R.M.A. can be obtained from a local Distributor or Manufacturer's Representative.

At this time a brief explanation of the service requested, or the nature of the malfunction, should be provided.

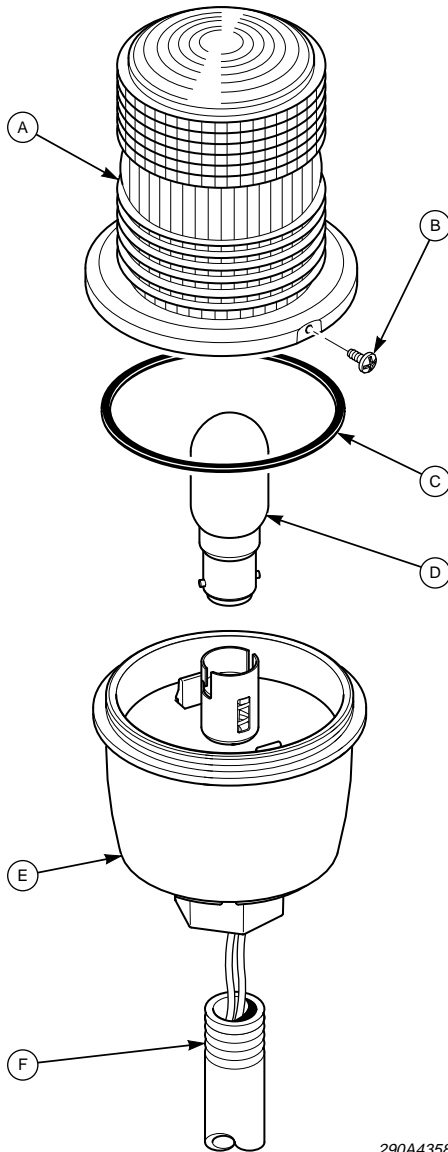
Address all communications and shipments to:

FEDERAL SIGNAL CORPORATION
Electrical Products Division
Service Department
2645 Federal Signal Drive
University Park, IL 60466-3195

IV. REPLACEMENT PARTS.

Description	Part No.
Lamp, 12VDC	K8107226A
Lamp, 24VDC	K8107227A
Lamp, 120 VAC	K8107194A
Lens, Amber	K8589006A
Lens, Blue	K8589006A-01
Lens, Clear	K8589006A-02
Lens, Green	K8589006A-03
Lens, Red	K8589006A-04
Gasket, LP3TI	K8589012A
Gasket, LP3MI	K8589029A
Gasket, Lens	K8589013A

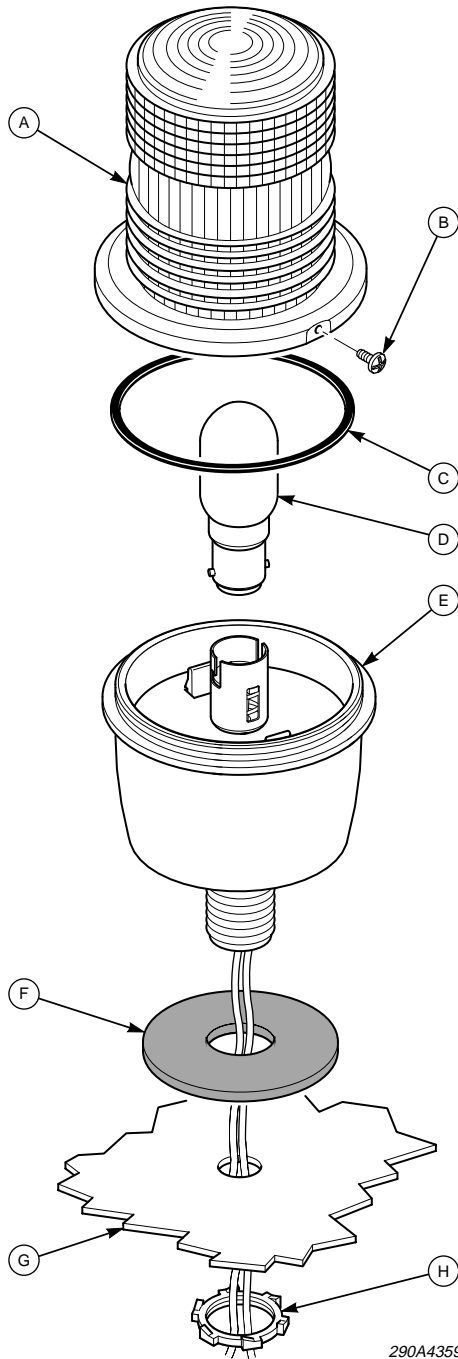
1



290A4358

English

- A. Lens
- B. Screw
- C. Lens gasket
- D. Lamp
- E. Housing, LP3P
- F. 1/2" NPT pipe

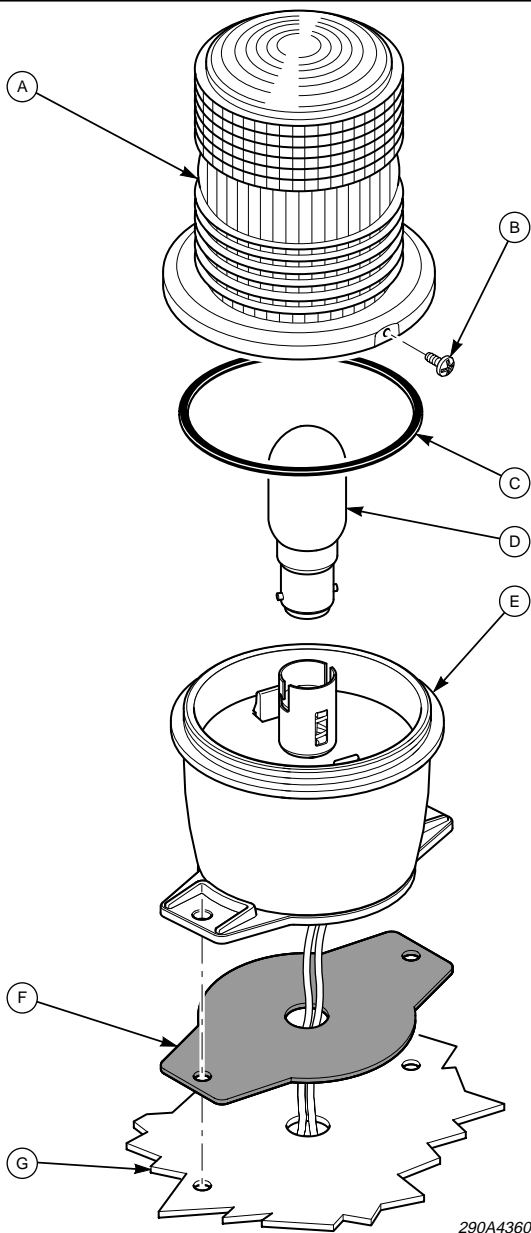


English

- A. Lens
- B. Screw
- C. Lens gasket
- D. Lamp
- E. Housing, LP3M
- F. Gasket, LP3M
- G. Mounting surface
- H. Locknut

290A4359

3



290A4360

English

- A. Lens
- B. Screw
- C. Lens gasket
- D. Lamp
- E. Housing, LP3T
- F. Gasket, LP3T
- G. Mounting surface